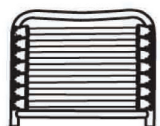


eurow style™

Assembly Instructions

BUNGIE Low Back Office Chair

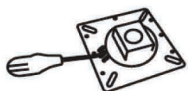
PLEASE NOTE: Check that you have received all components and hardware before assembling. If you are missing any parts fax Euro Style at 415.455.8033 or email: claims@gotoeurostyle.com



A (1 pc)



B (1 pc)



C (1 pc)



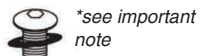
D (1 pc)



E (1 pc)



F (1 pc)



G (4 pcs)
M8 x 14mm

**see important note*



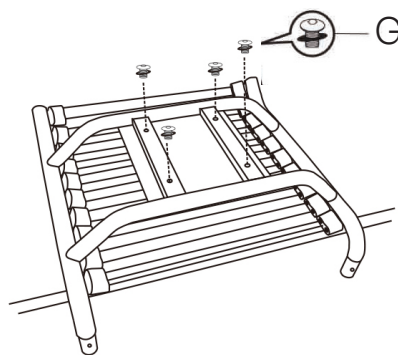
H (2 pcs)
1/4" x 5/8"



I (1 pc)
5mm

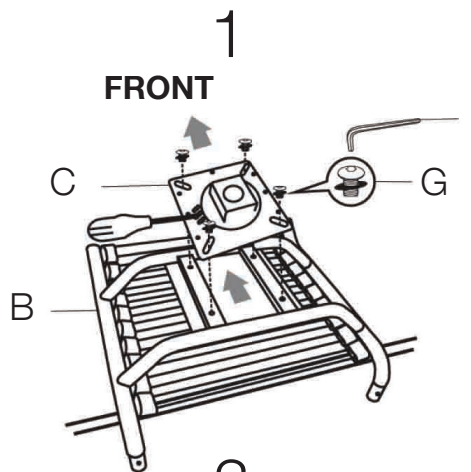


J (1 pc)
4mm



IMPORTANT

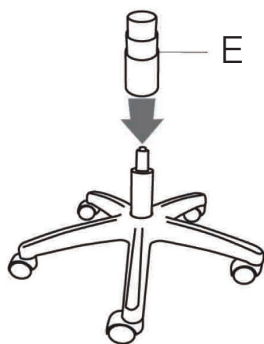
NOTE: Screws and washers (Parts G) are preassembled into the underside of the seat (Part B). Remove screws and washers from seat and then use to attach Part C to Part B, as shown in step 1.



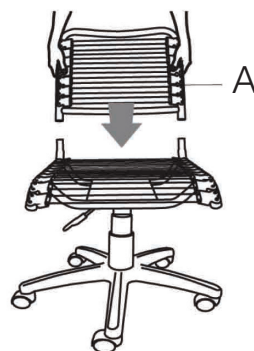
1

FRONT

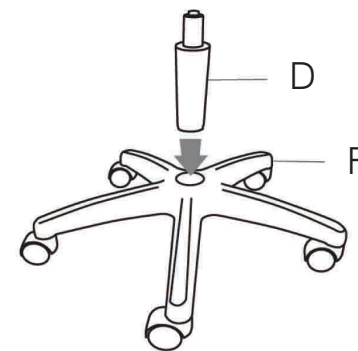
3



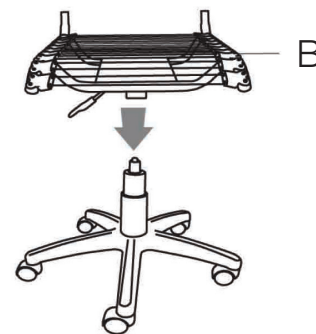
5



2



4



6

