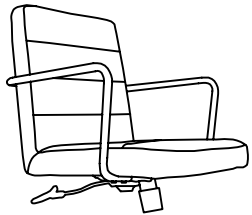


eurø style™

Assembly Instructions

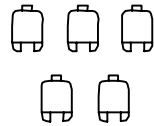
LEANDER Low Back Office Chair



A (1 pc)



B (1 pc)



C (5 pcs)



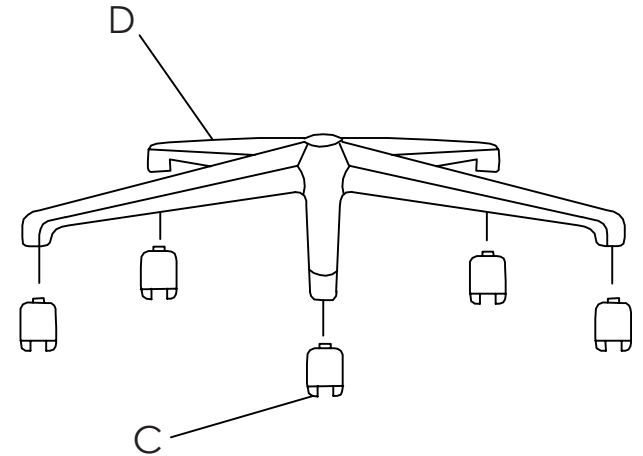
D (1 pc)



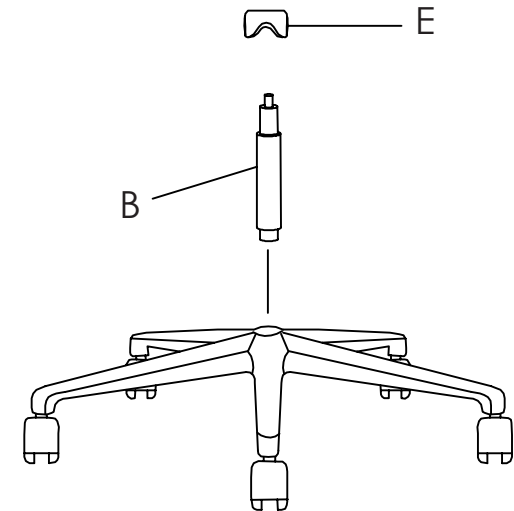
E (1 pc)

PLEASE NOTE: Check that you have received all components and hardware before assembling. If you are missing any parts, contact your retailer, or fax Eurø Style at 415.455.8033 or email: cs@gotoeurostyle.com.

1



2



During assembly, hand tighten screws only. When the screws are in place, tighten completely.

PLEASE NOTE: Check that you have received all components and hardware before assembling. If you are missing any parts, contact your retailer, or fax Eurø Style at 415.455.8033 or email: cs@gotoeurostyle.com.

3

